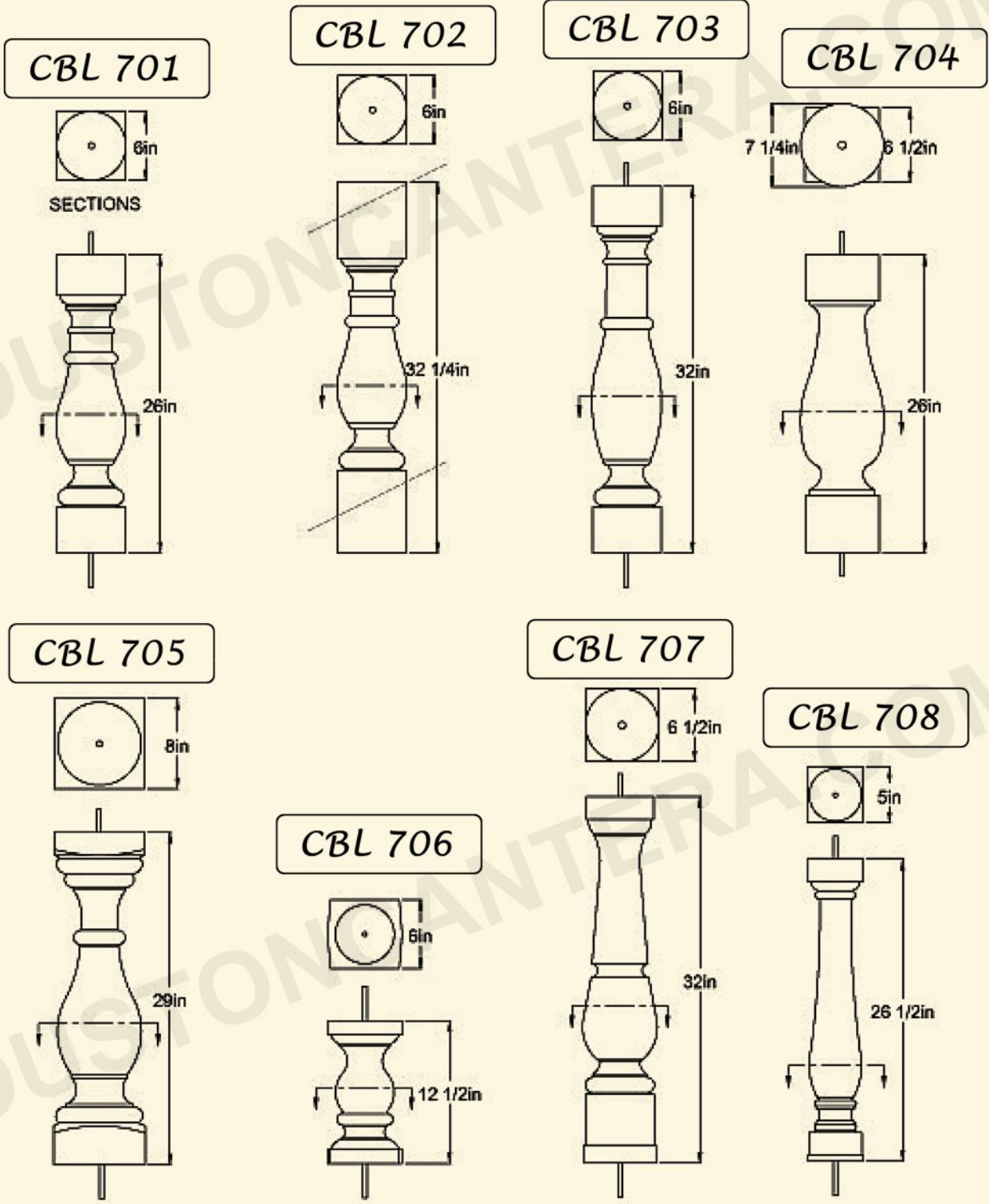
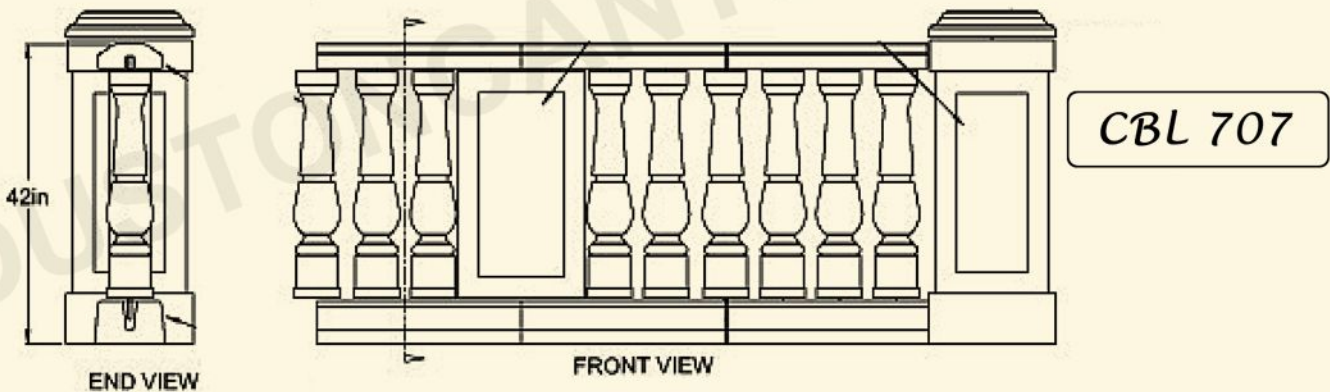
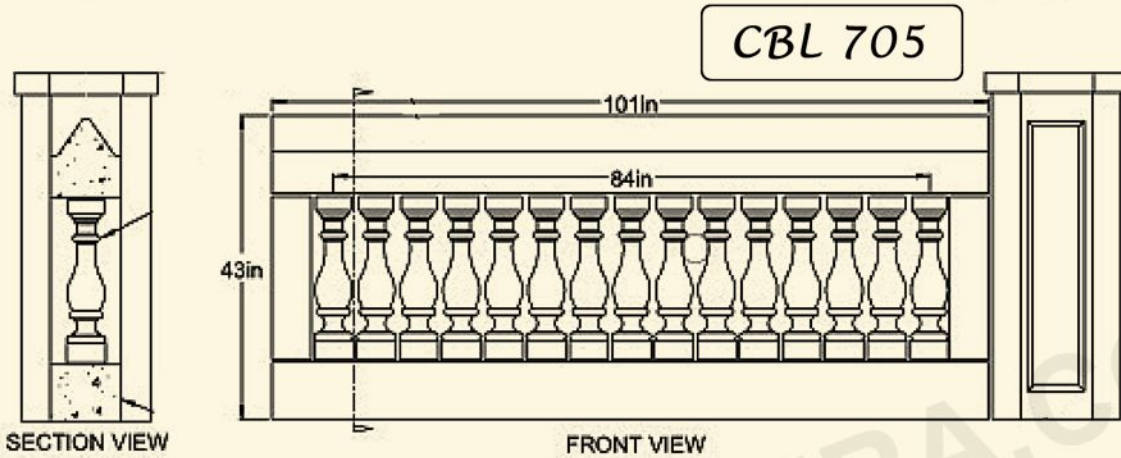
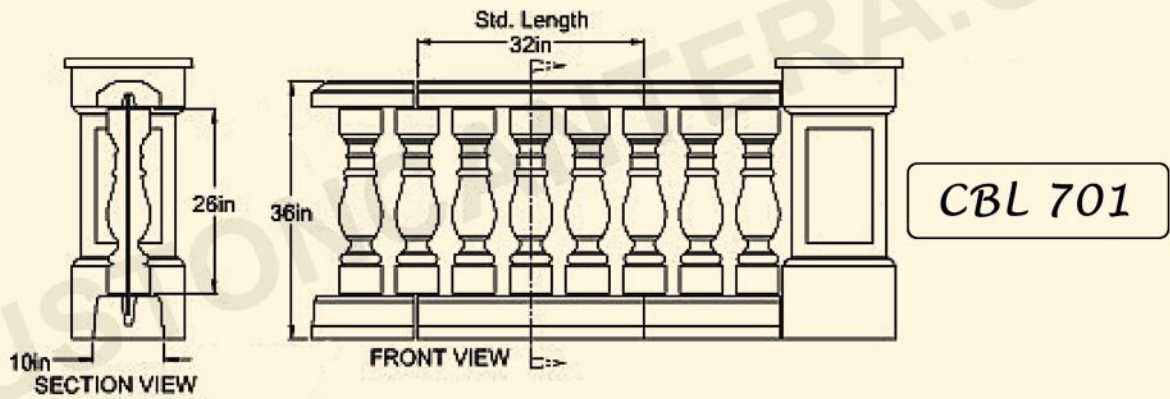


BALUSTERS

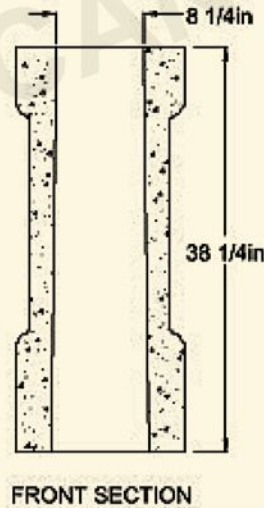
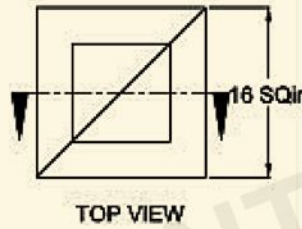
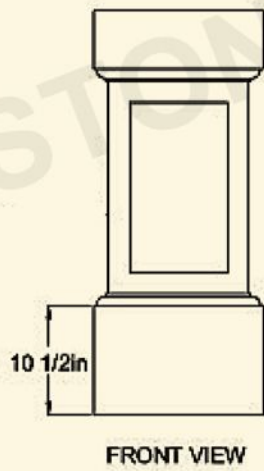


BALUSTRADE ASSEMBLY
ADDITIONAL BALUSTER, BASE AND CAP
COMBINATIONS AVAILABLE

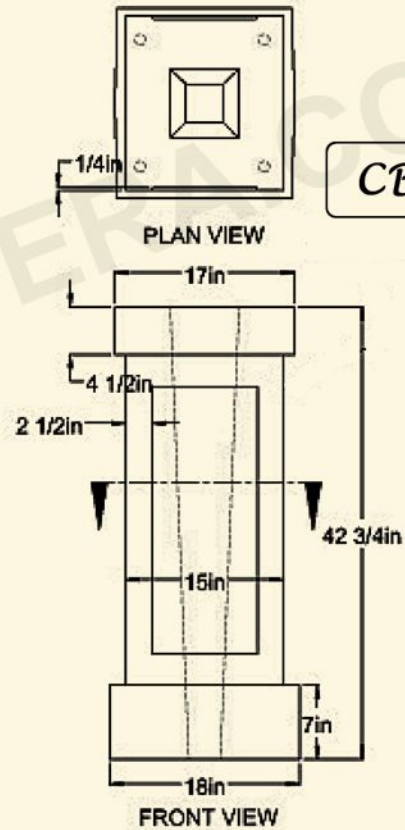


PILASTERS

CBL 709

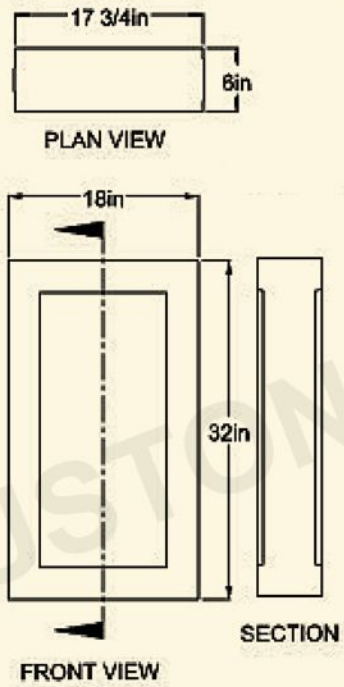


CBL 710

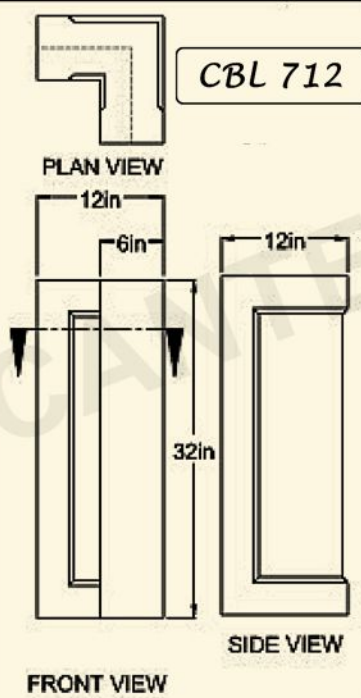


PLAN VIEW

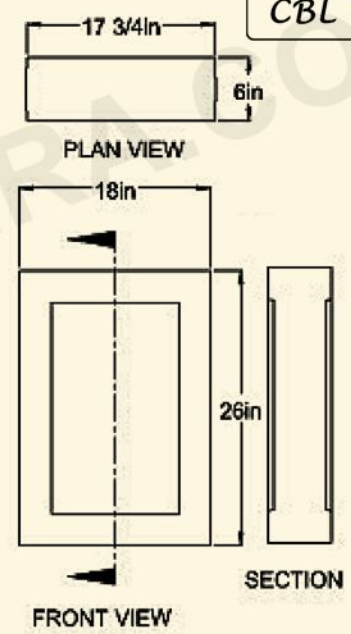
CBL 711



CBL 712

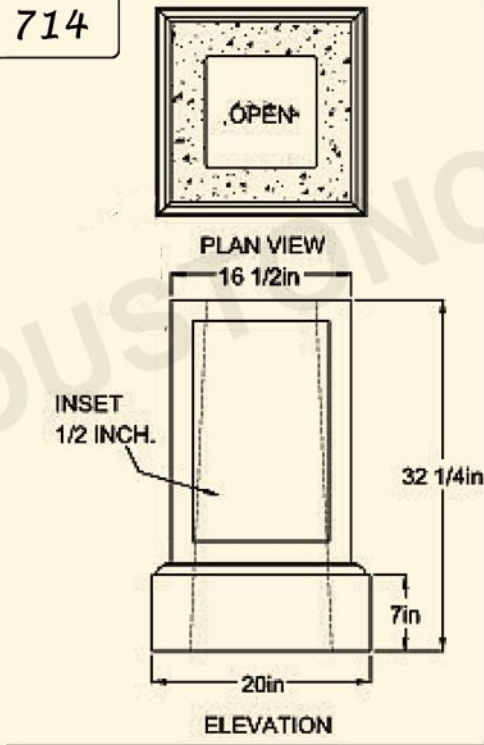


CBL 713

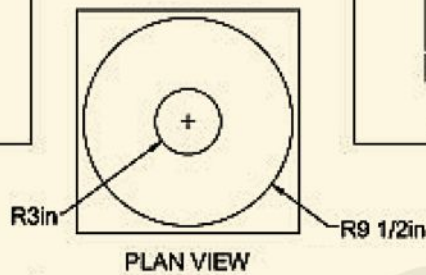
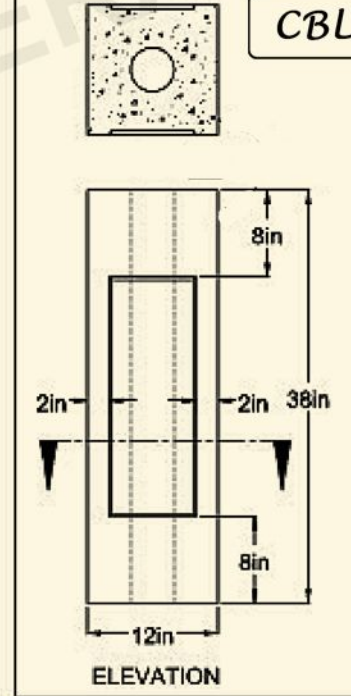


PILASTERS

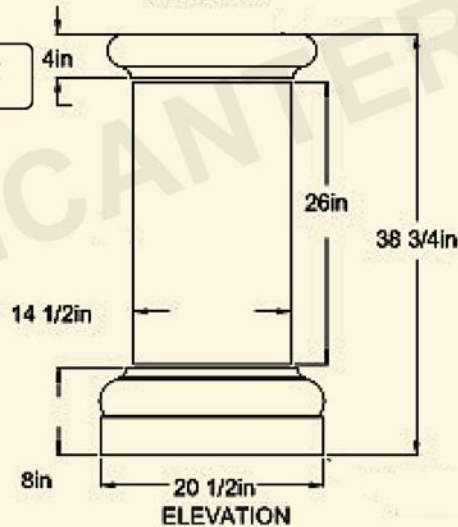
CBL 714



CBL 715

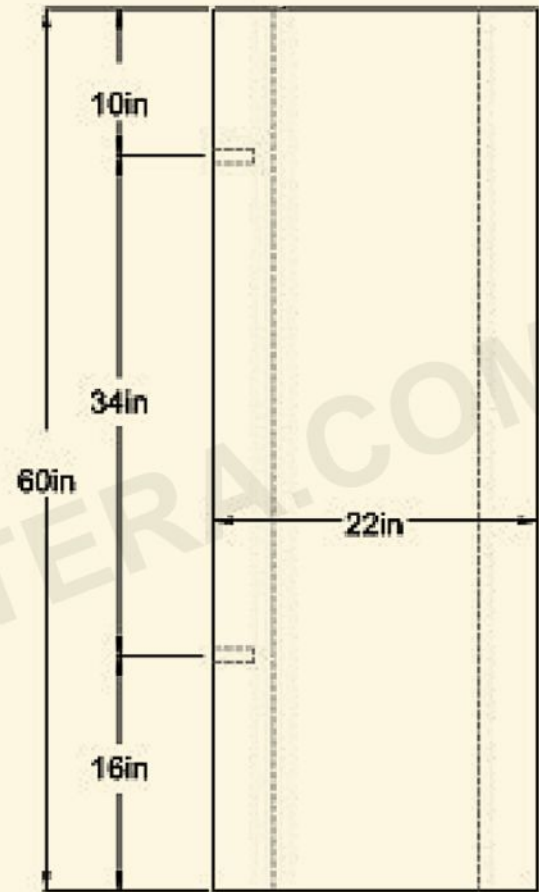
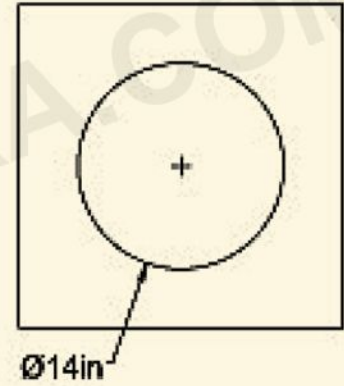
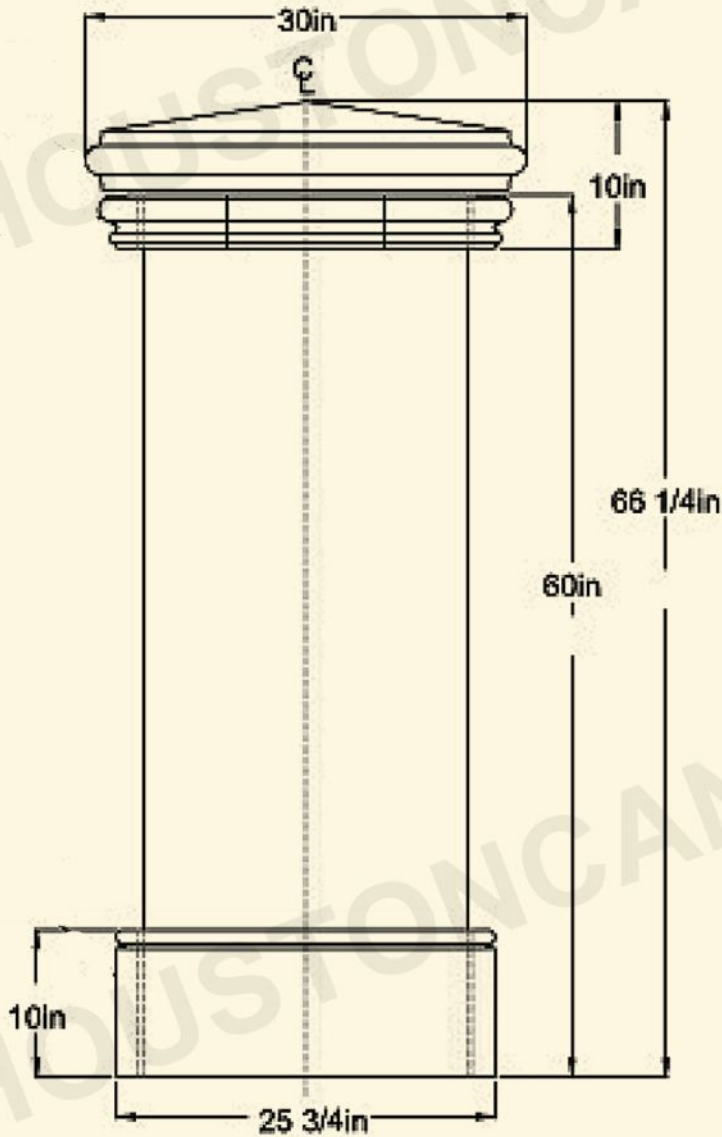


CBL 716



PILASTERS

CBL 717

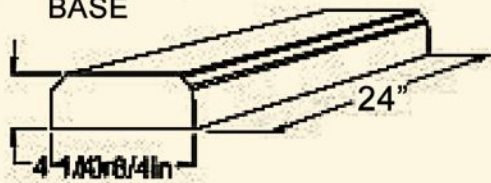


WALL CAPS SUBSTITUTING FOR
BALUSTER CAPS AND BASES

NOTE:
HOLES TO ACCEPT BALUSTER PINS, MUST BE FIELD DRILLED

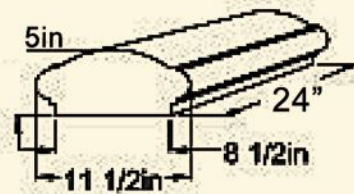
CBL 718-1

BALUSTER
BASE



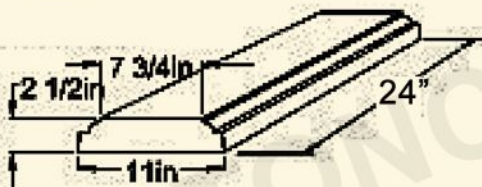
CBL 718-2

BALUSTER
CAP



CBL 719-1

BALUSTER
BASE



CBL 719-2

BALUSTER
CAP

